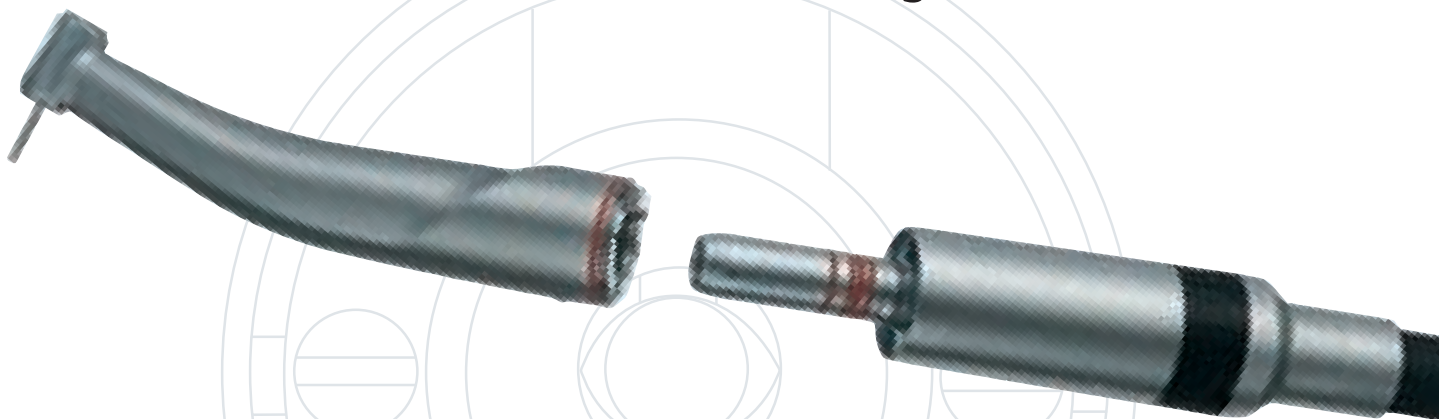


T1 LINE



Handpieces

T1 LINE – supreme ergonomics in titanium.



5 year
TOTAL
warranty™

The Dental Company

sirona.

> To be quite frank, flexibility is what I'm aiming at in my dental practice. Now the choice is easy: the Sirona T1 LINE handpiece range.<

Andrew Jones (32), dentist



T1 LINE – opening up new possibilities.

More benefits. You can expect a little bit more from the world's only full-range supplier of dental equipment. More know-how ... More quality ... More innovation ... And above all: cost-effective solutions geared to your individual practice requirements. This is where the Sirona T1 LINE comes into play. Our complete range of straight and contra-angle handpieces is compatible with all the most popular micromotors – thanks to their ISO-standard INTRAmatic LUX interface.

The advantages for you. The T1 LINE handpieces are light, compact, and robust. Their smooth flowing lines and titanium construction set new standards in terms of ergonomics, design, hygiene, and value for money.

You expect a little bit more? The T1 LINE fulfills all your expectations with regard to user-friendliness, individuality, and economics. The range comprises 17 straight and contra-angle handpieces. They cover a complete spectrum of dental applications and facilitate fast and efficient working. What's more, all the models in the T1 LINE range are also available without light.



Decisive benefits

When you decide in favor of the T1 LINE handpieces you consciously opt for optimum flexibility, outstanding handling characteristics, plus the proven benefits of titanium, i.e. state-of-the-art design, coupled with low weight. The extensive T1 LINE handpiece range puts decisive therapeutic and economic benefits – literally – at your fingertips. This is entirely consistent with the Sirona philosophy of creating value and maintaining value.

Well-prepared

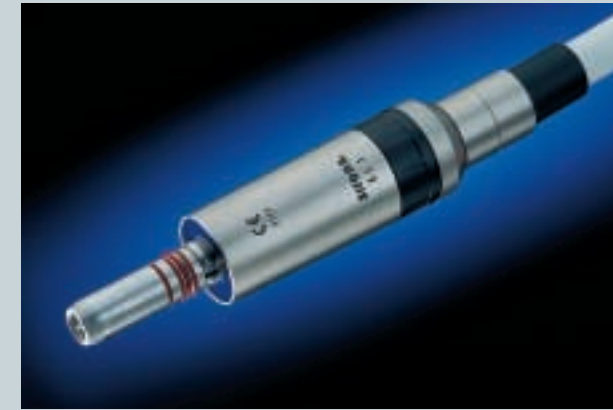
The T1 LINE handpieces are ideally suited to standard preparations – opening up fissures, removing enamel and dentin, smoothing cavity margins, inserting pins, etc. This highly versatile handpiece range caters for sophisticated applications in the area of prosthodontics, micropreparation, surgery, endodontics, and preventive care.



T1 LINE – enhanced performance. The Motor EL 1 plays a key role.



> The T1 LINE handpieces are exceptionally compact and light. They mold themselves to my hand, regardless of what grip position I choose. <



Full power! The Sirona Motor EL 1 is a top performer: high torque, broad speed range, dynamic start/stop characteristics, plus outstanding durability and reliability. This is backed up by a three-year warranty. What more could you want?

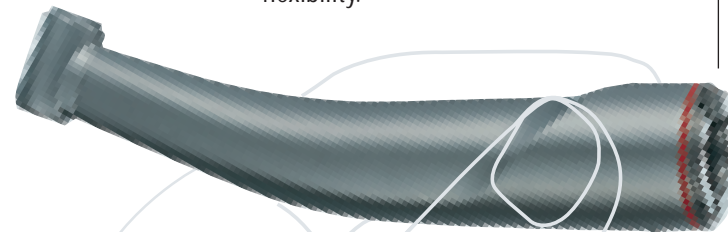
T1 LINE

A question of balance. T1 LINE offers supreme ergonomics. The ultralight titanium casing is created using the highly sophisticated Superplastic Design Method (SPF). The handpiece and the drive unit form a single integrated unit – a prerequisite for relaxed fatigue-free handling.

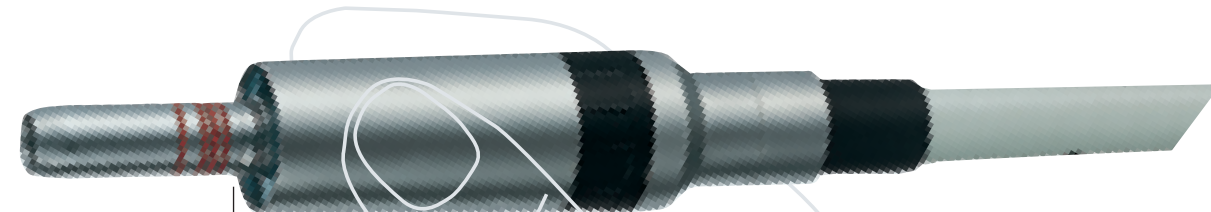
Titanium is unrivalled. Titanium is ultralight, warm to the touch and kind to the skin. The smooth, non-slip contours of the T1 LINE handpieces deliver outstanding benefits in terms of hygiene and handling. And this means enhanced job satisfaction – day in, day out.



The perfect match:
The ISO interface gives you enormous flexibility.



Power at your fingertips:
The high-performance Motor EL 1 augments the ergonomic qualities of T1 LINE handpieces.



T1 LINE – a new dimension in ergonomic design:

- High-quality titanium casing: easy to grip and pleasant to the touch.
- Smooth flowing contours ensure optimum handling.
- Stress-free working thanks to low weight and perfect balance (the Motor EL 1 and handpiece form a single integrated whole).

Motor EL 1 – powerful, versatile, and durable:

- Broad speed range geared to a wide variety of different tasks.
- Constant high torque (electronic compensation system).
- Sterilizable outer sleeve.
- Designed for a long service life.

Technical Data

	Motor EL 1
Rated voltage	24 V=
Current limit	5.5 A ± 0.1
Rating	approx. 60 W
Speed	approx. 200 – 40,000 rpm*
Torque	max. 2.9 Ncm
Motor diameter	21 mm
Motor length	60 mm
Cooling air requirement	30 ± 5 NI/min
Spray air pressure	approx. 39 psi
Spray water pressure	approx. 29 psi
Weight	100 g

* with super low-speed function

T1 LINE – geared to future developments and demands.

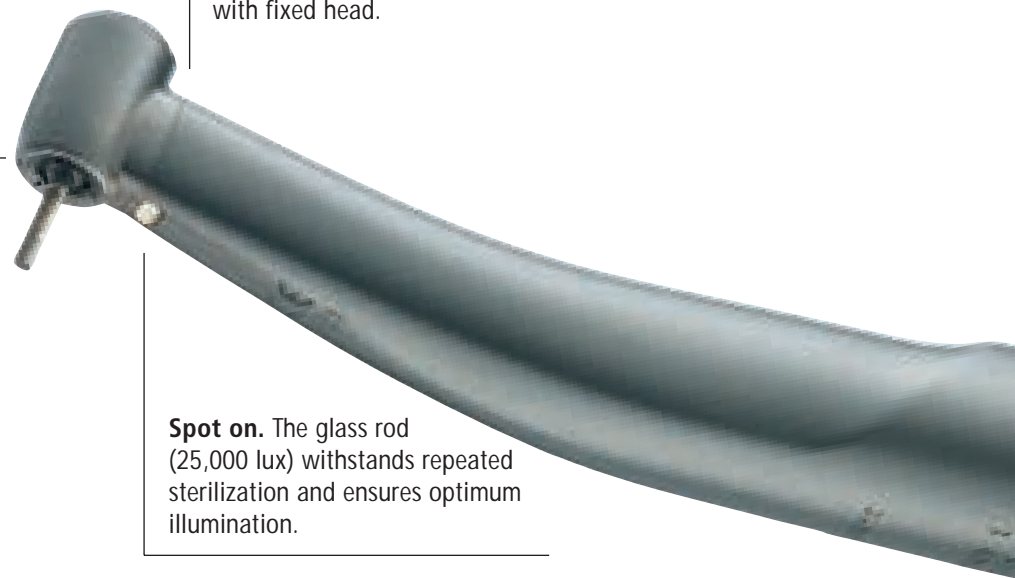


> Just what I need: a handpiece that adapts flexibly to my changing needs. <

Clean cut.
Exchangeable spray ring.

Rock solid.
Compact contra-angle handpiece with fixed head.

Spot on. The glass rod (25,000 lux) withstands repeated sterilization and ensures optimum illumination.



Clean. The spray system features an exchangeable spray ring, optimal spray volume, plus a freely selectable number of jets.

Hygienic. The smooth, biocompatible titanium surface is completely free of potential dirt traps. And the T1 LINE handpieces are completely sterilizable.

Keeping your options open. The T1 LINE gives you instant benefits. Thanks to the ISO-standard INTRAMatic LUX interface, the T1 LINE handpieces offer unrivaled compatibility. The light guide (25,000 lux) withstands repeated sterilization cycles. All the models in the T1 LINE have been designed for maximum durability. The range comprises 17 fixed-head handpieces (straight and contra-angle) catering for a complete spectrum of applications in implantology, surgery, and endodontics.

T1 LINE – geared to a complete spectrum of dental procedure.



- **T1 LINE C 200 L**
T1 LINE C 200
- **T1 LINE C 40 L**
T1 LINE C 40
- **T1 LINE C 6 L / C 1.6 L**
T1 LINE C 6 / C 1.6
- **T1 LINE Profin® 04 L / 11 L**
T1 LINE Profin® 04 / 11
For micropreparations

Ideal for the preparation of fissures (e.g. prior to sealing), the removal of enamel and dentin, and the smoothing of cavity margins. Thanks to the step-down gearing, the T1 LINE C 6/C 1.6 L and T1 LINE C 1.6/C 1.6 L produce an impressive torque – a prerequisite for pin insertion procedures.

These finely adjustable contra-angle handpieces are the ideal choice for polishing, excess composite removal, and root planing.

- **T1 LINE ENDO L**
T1 LINE ENDO
For endodontic applications
- **T1 LINE CONDENS**
For amalgam restorations
- **T1 LINE PROPHY**
For preventive-care applications
- **T1 LINE H40**
For prosthodontic applications

This two-in-one handpiece is designed for manual and mechanical files for root canal preparation. This means greater flexibility and cost-effectiveness.

In combination with the DENTATUS AVA tips, this handpiece is the ideal tool for condensing amalgam fillings.

This contra-angle handpiece provides an excellent tool for polishing teeth and material surfaces in combination with brushes and caps.

A strong performer, especially in the low-speed range. Fine milling operations can be performed at the chairside as well as in the laboratory. Thanks to its straight shape, the handpiece is also ideal for surgical procedures.



	Model		Gear ratio	Light	Application	Equipment	Speed/Stroke	REF.
	T1 LINE C 200 L	●	1 : 5		Preparation	Ø 1.6 FG	up to approx. 200,000	33 28 452
	T1 LINE C 200	●	1 : 5	N/A	Preparation	Ø 1.6 FG	up to approx. 200,000	18 94 729
	T1 LINE C 40 L	●	1 : 1		Preparation	Ø 2.35 CA	up to approx. 40,000	33 28 437
	T1 LINE C 40	●	1 : 1	N/A	Preparation	Ø 2.35 CA	up to approx. 40,000	18 94 711
	T1 LINE C 6 L	●	6 : 1		Preparation	Ø 2.35 CA	up to approx. 6,000	33 28 429
	T1 LINE C 6	●	6 : 1	N/A	Preparation	Ø 2.35 CA	up to approx. 6,000	18 94 703
	T1 LINE C 1.6 L	●	24 : 1		Preparation/Impl.	Ø 2.35 CA	up to approx. 1,600	33 28 411
	T1 LINE C 1.6	●	24 : 1	N/A	Preparation/Impl.	Ø 2.35 CA	up to approx. 1,600	18 94 695
	T1 LINE Profin® 04 L	●			LAMINEER® LTA/EVA tips (Dentatus); e.g. polishing, milling of overhangs	EVA-Dentatus	Stroke 0.4 mm	33 29 260
	T1 LINE Profin® 04	●		N/A		EVA-Dentatus	Stroke 0.4 mm	18 94 745
	T1 LINE Profin® 11 L	●				EVA-Dentatus	Stroke 1.1 mm	41 77 015
	T1 LINE Profin® 11	●		N/A		EVA-Dentatus	Stroke 1.1 mm	41 77 007
	T1 LINE ENDO L	●	9,5 : 1		Endodontics Giromatic (rotation ± 30°)	Manual and 2.35 CA	up to approx. 4,000	58 69 552
	T1 LINE ENDO	●	9,5 : 1	N/A		Manual and 2.35 CA	up to approx. 4,000	58 70 709
	T1 LINE CONDENS	●		N/A	AVA Dentatus amalgam instruments		up to approx. 16,000	18 94 737
	T1 LINE PROPHY	●	2,4 : 1	N/A	Preventive Care	Snap on & Screw in	up to approx. 7,000	18 94 901
	T1 LINE H40	●	1 : 1	N/A	Preparation/ chairside milling	Ø 2.35 HP	up to approx. 40,000	33 29 054

- Standard
- Special

Profin® and LAMINEER® are registered trademarks of Dentatus, Sweden

Accessories

Instrument tray

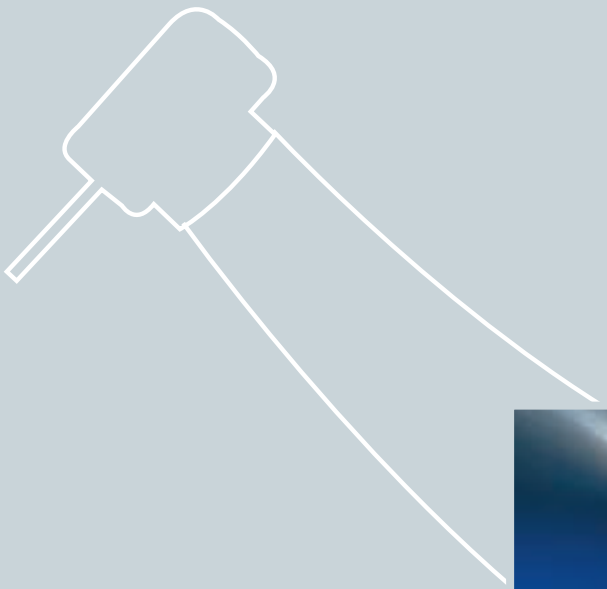
Spray clips

For saline solution and other externally-fed liquids

Order no.

REF. 89 16 074

REF. 41 74 087 for T1 LINE contra-angle handpieces
REF. 41 74 079 for T1 LINE straight handpieces



Reliable. The handpiece and Motor EL 1 form a single integrated whole.

More service. Sirona sets the benchmark in terms of warranty – in favor of the customer. The Sirona handpiece TOTAL warranty covers everything – up to 5 years.*



The benefits in brief:

- 17 different fixed-head models to choose from.
- Sterilizable glass rod fiber optics (25,000 lux).
- Ergonomic ultralight titanium casing.
- Exchangeable spray rings with a freely selectable number of jets.
- Optimum hygiene.

* Special conditions apply to qualify for the extended warranty.

Sirona – Creating and maintaining value.

Treatment centers
Handpieces
X-ray systems
CEREC

Logical. You can rightly expect a great deal from Sirona as the only full-range supplier of dental equipment worldwide. For example, a comprehensive product portfolio, first-class service, top quality and value for money. Sirona markets a complete spectrum of products and systems – treatment centers, electric motors, handpieces, X-ray systems, patient communication systems and CEREC ceramic restoration systems. The Sirona philosophy is to offer products which satisfy the life-long needs of dental practices.

Treatment centers



Patient communication



X-ray systems



CEREC



Handpieces



Electric motors



Your dental equipment dealer:

Sirona Dental Systems LLC
 4835 Sirona Drive
 Suite 100
 Charlotte, NC 28273
 Phone: 800-659-5977
 Fax: 888-297-8631
 E-mail: marketing@sirona.com
www.sirona.com

Subject to technical changes and errors in the text. Order No. A91100-M45-A745-01-4A00. Printed in Germany. Dispo No. 04600_2013C8189 WS 0803X.